



# ZIPSHIELD®

## Pile-mounted string wire protector

ZipShield® is a core component of Construction Innovations' String Wire Management System designed for anyone to quickly install in the field. Simply slide it into place over the tracker row pile and its smooth, insulated surface allows crews to easily pull ZipString™ down North/South tracker rows without snags or hang-ups. By protecting conductors from abrasive PV pile edges, ZipShield® enables string wire to remain safely mounted for extended periods of time—giving crews the flexibility to install ahead of module delivery and keep projects moving regardless of other material or scheduling delays.

= product feature specialized to Construction Innovations

### Product Specifications

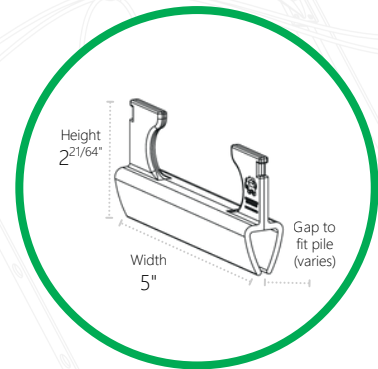
- Material: UV-resistant polymer
- Pile Compatibility: 0.25" - 0.5" thickness
- Proprietary design
- Tool-free installation
- Long-lasting & weatherproof
- Patent number: D950370

### Ratings & Listings

UL Listed to Std:  
94, 764 A, and 764 B

### Installation Efficiencies

Installable by anyone. Simply slide ZipShield® over the top of the tracker row pile to start safely feeding ZipString™ into place—no tools or assembly required.



Product Details							Shipping Details			
Product Image	Part #	Part Name	Width	Height	Gap	Recommended String Wire	Qty/Box	Boxes/Pallet	Pallet Dimensions	Pallet Weight
	101906	ZipShield® Pile Mounted Wire Protector	5"	2.32"	0.125+/- 0.05	ZipString™ String Wire	300	48	48"L x 48"W x 72"H	1,085 lbs
	118499				0.010+/- 0.05					



ZipShield® pictured: part number 118499